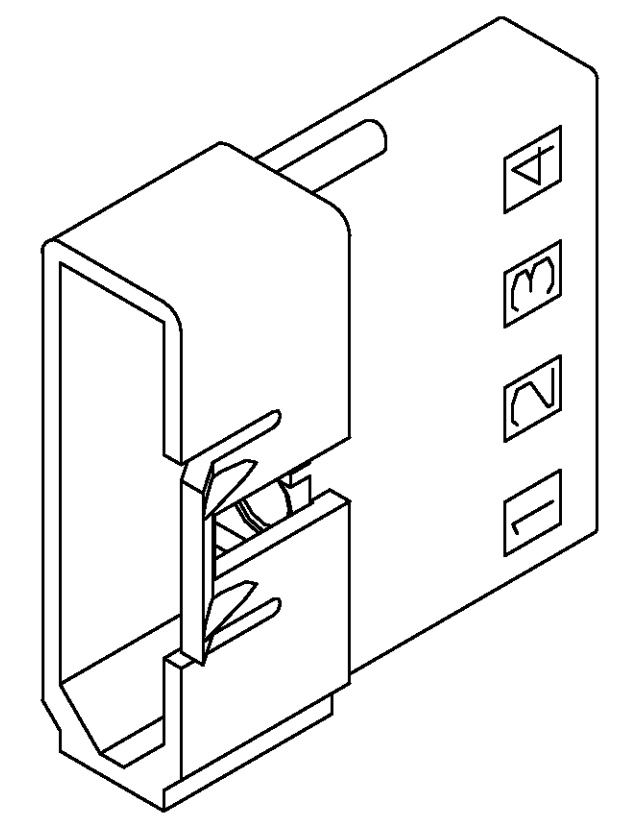
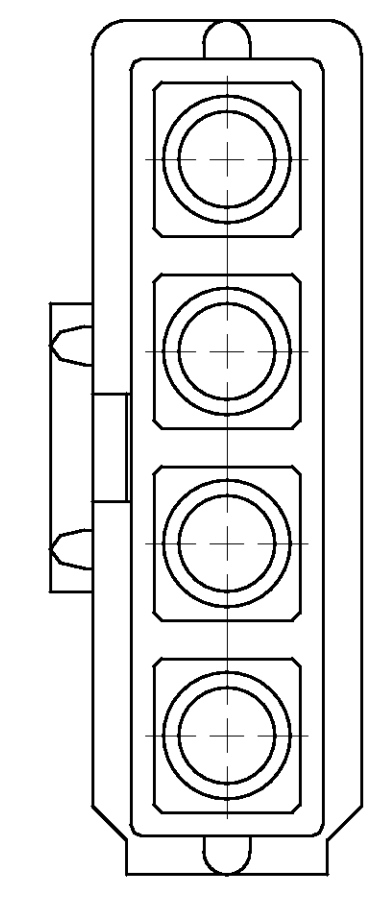
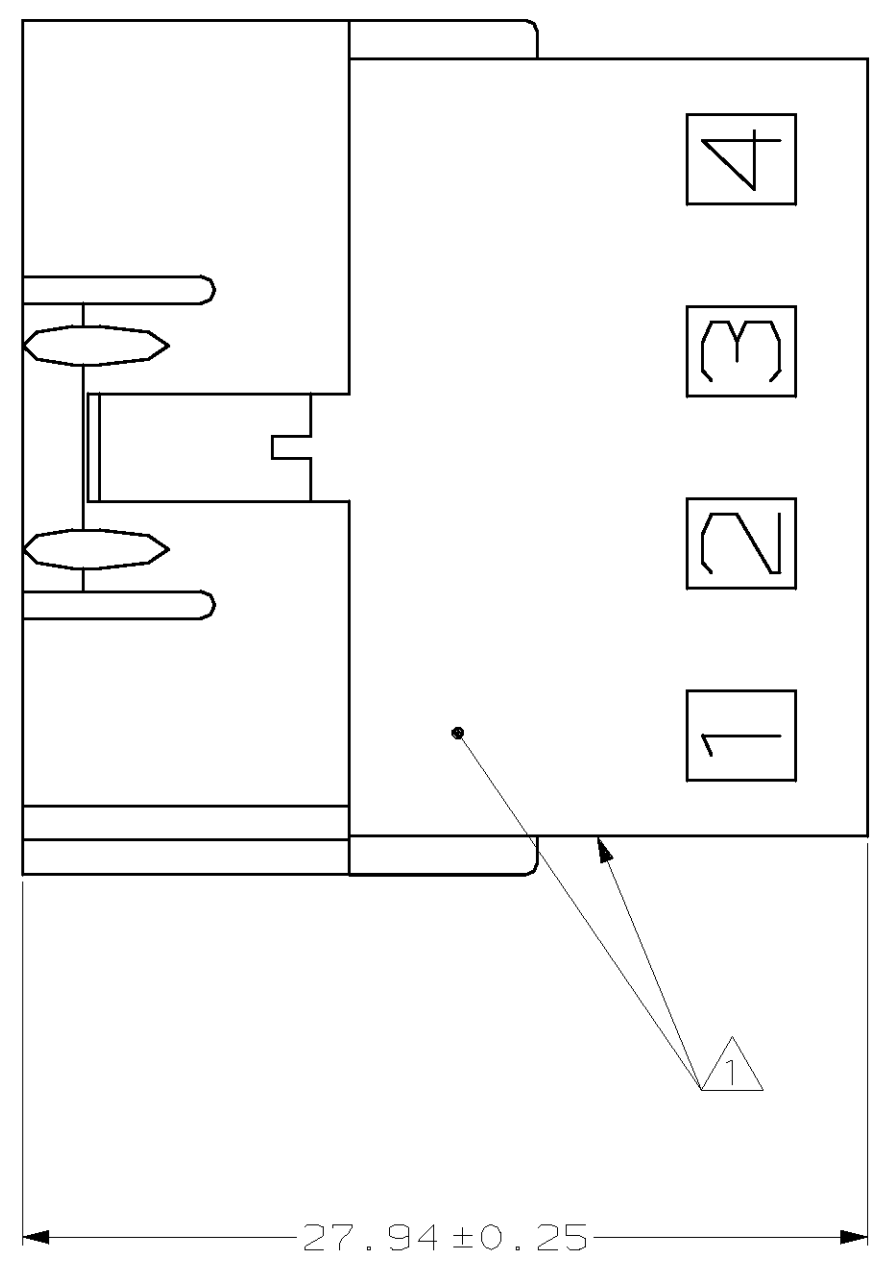
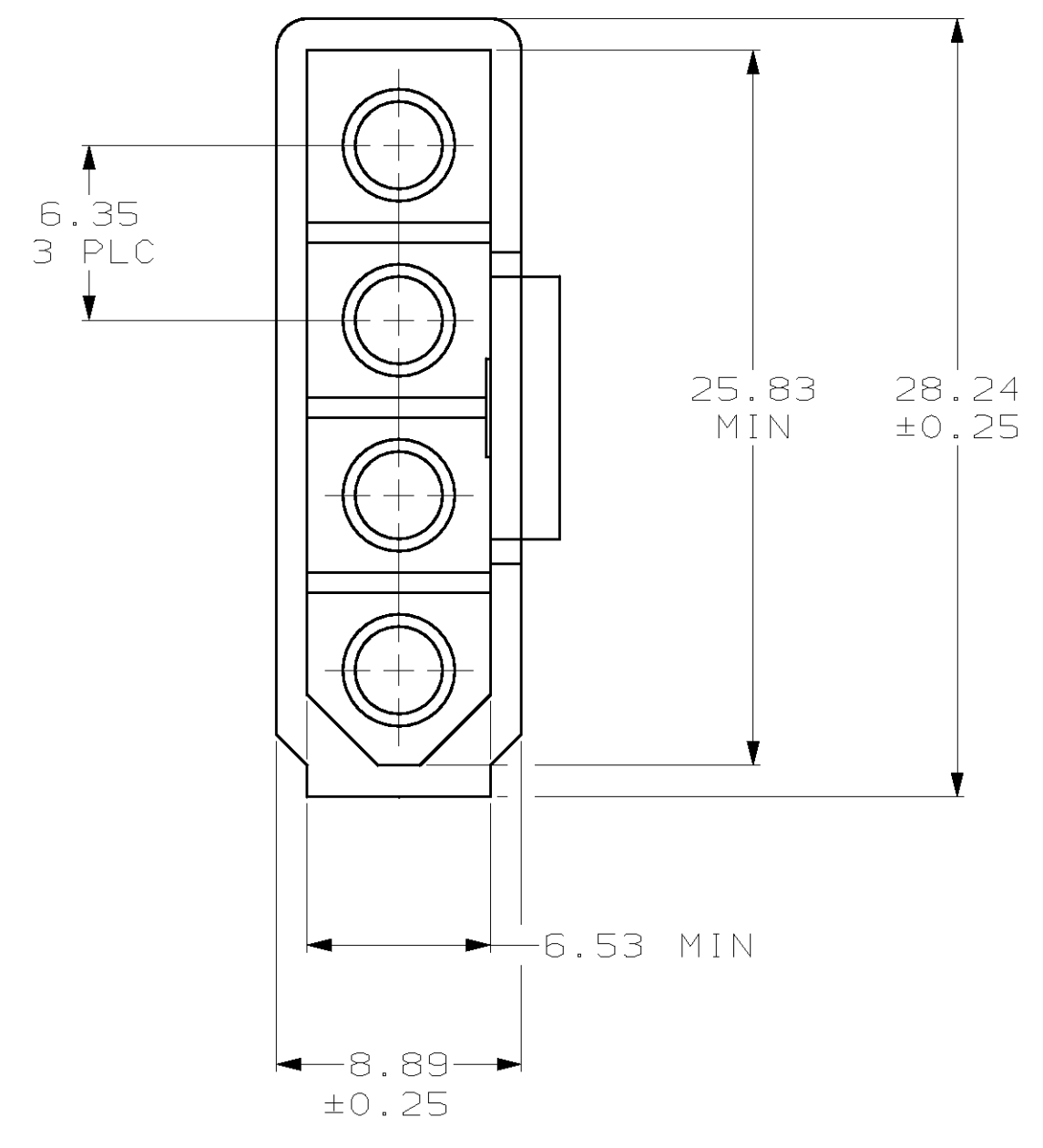


LOC	QTY	REV	DATE	BY	CHK	APPV
CM	53	D	9-02-98	REV & REDWN PER EC 061B-0177-98	KW	RS

AMP LOGO AND CAVITY NUMBERS LOCATED ON EITHER SURFACE, OPPOSITE SIDE OPTIONAL.



3-DIMENSIONAL MODEL
NTS

MM	IN
28.24	1.112
27.94	1.100
25.83	1.017
8.89	.350
6.53	.257
6.35	.250
0.25	.010
0.13	.005
MM	IN

CONVERSION TABLE

770336-1
PART NUMBER

METRIC

THIS DRAWING IS A CONTROLLED DOCUMENT.

DIMENSIONS:	TOLERANCES UNLESS OTHERWISE SPECIFIED:	DWN: K. WHITAKER 9-02-98	AMP Incorporated
mm	9 PLC ±-	CHK: R. SWING 9-02-98	Harrisburg, PA 17105-3608
	1 PLC ±-	APV: K. COBLE 9-02-98	PLUG, 4 CIRCUIT, .250 PIN AND SOCKET
	2 PLC ±0.13	PRODUCT SPEC	RESTRICTED TO
	3 PLC ±-	APPLICATION SPEC	SIZE: A1 00779 C-770336
	4 PLC ±-	HEIGHT	SCALE: 4:1 SHEET 1 OF 1 REV 0
MATERIAL: NYLON, JL 94V-2, NATURAL	FINISH: -	CUSTOMER DRAWING	